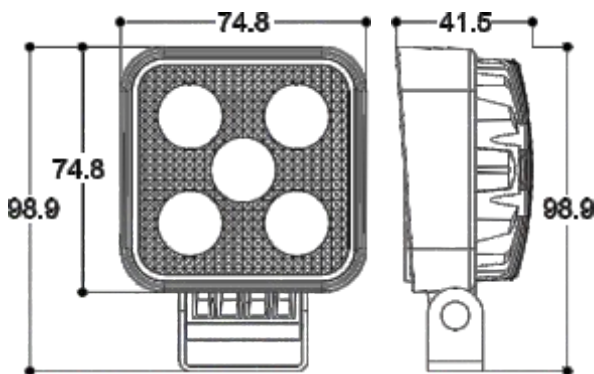


15W POD SQUARE MINI(S) 0515P

LED WORK LIGHT

Tech Details

LED Chip	Epistar 3W
Voltage	10-30V DC
Power	15W
Output	1050LM
Beam	Spot
Light color	White or Amber avail
Color Temp.	White 6500K / Amber 3000K
Housing	Die case Alu
Bracket	Stainless steel bracket
IP rating	IP67
Shockproof	20G shock protected
Dust	Protected
Reverse polar	Protected
Life span	30000 hrs

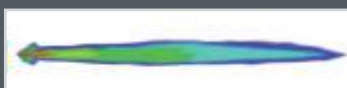


Application: Trucks, Heavy Duty, Tractors, Forklifts, Road Construction, Mining, Drilling, Forestry, Agriculture, Earth Moving etc.

Tech Details

- New generation of MINI(S)0515P, square and super compact design equipped with 5 pcs of 3W Epistar LED which produces 1050 Lumens, rather high output.
- The durable die-cast aluminum housing to stand up to the hardest conditions.
- Unique and special heat sink design on the periphery and the back for superior heat dissipation. To prolong the life of LEDs to its full 50,000 hours potential, that means it never need change bulb again.
- IP67 rate guaranteed, signifying that it is dust-proof and submersion in water up to 1 meter.
- Flexible stainless steel bracket, 360° rotation x 180° tilt.
- 30° Spot Beam
- Reverse polar protection & leakage protection.

SPOT



30° Spot for options