

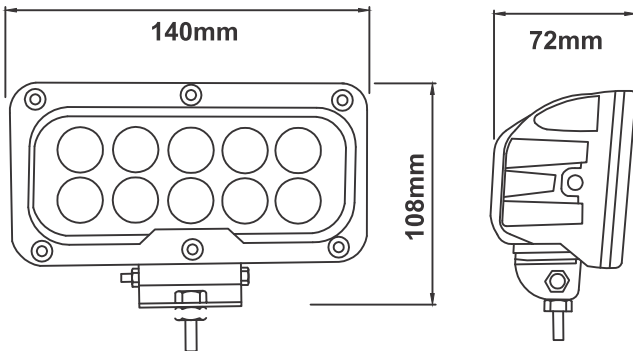


30W POD RECTANGULAR

LED WORK LIGHT

Tech Details

LED Chip	Epistar 3W
Voltage	DC 9-32V
Power	30W
Lumens Output	3000 LM
Color Temp	6500K
Current Draw	2A@12V, 1A@24V
Beam Pattern	Spot
Housing Material	Aluminum Die Cast
Mounting Bracket	Stainless Steel
Lens Material	PMMA
IP Rating	IP67
Shockproof	20G Shock Protected
Dust	Protected
Reverse Polar	Protected
Life Span	30000 hrs

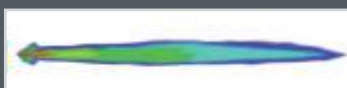


Application: Trucks, Heavy Duty, Tractors, Forklifts, Road Construction, Mining, Drilling, Forestry, Agriculture, Earth Moving etc.

Tech Details

- New generation of LED Light, Rectangular and super compact design equipped with 10 pcs of 3W Epistar LED which produces 3000 Lumens, rather high output.
- The durable die-cast aluminum housing to stand up to the hardest conditions.
- Unique and special heat sink design on the periphery and the back for superior heat dissipation. To prolong the life of LEDs to its full 50,000 hours potential, that means it never need change bulb again.
- IP67 rate guaranteed, signifying that it is dust-proof and submersion in water up to 1 meter.
- Flexible stainless steel bracket, 360° rotation x 180° tilt.
- 30° Spot for options
- Reverse polar protection & leakage protection.

SPOT



30° Spot for options